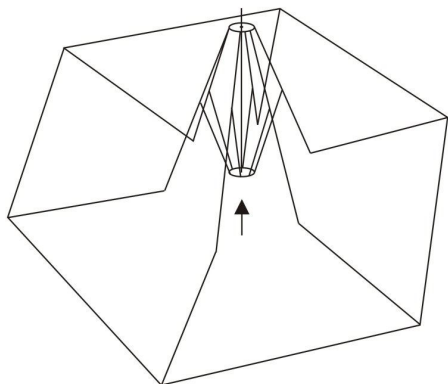
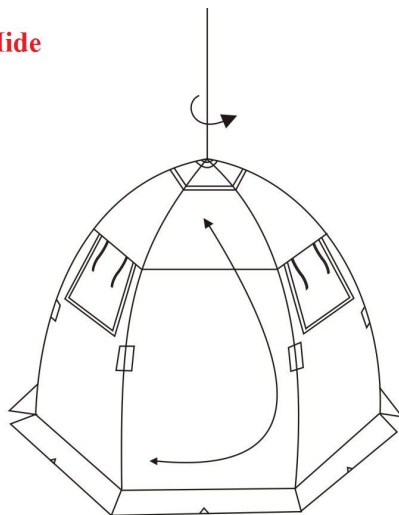


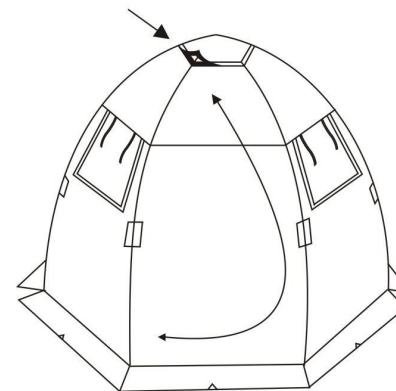
Instructions for setting up Stealth Gear Aquaproof Quick Hide



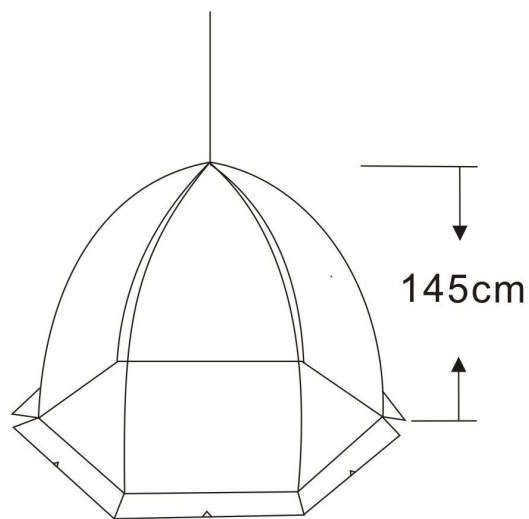
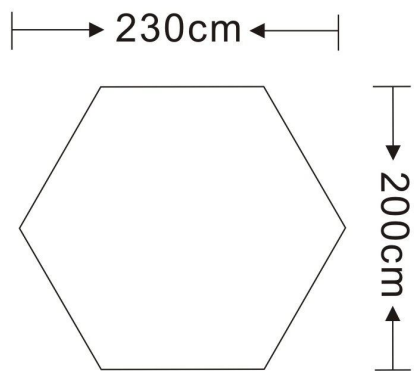
Open the tent, push up the tray in the middle of the post, hold up the tent



Support the tent, then take down the aluminium rod on the top



Stick the cover to the top of tent, prevent the rain from entering



Size : 230*200*H145cm
Material : 210D PU5000 waterproof oxford
Floor : 210D PU10000 waterproof oxford
Post : 7.9MM aluminium post
Feature : open and fold together quickly